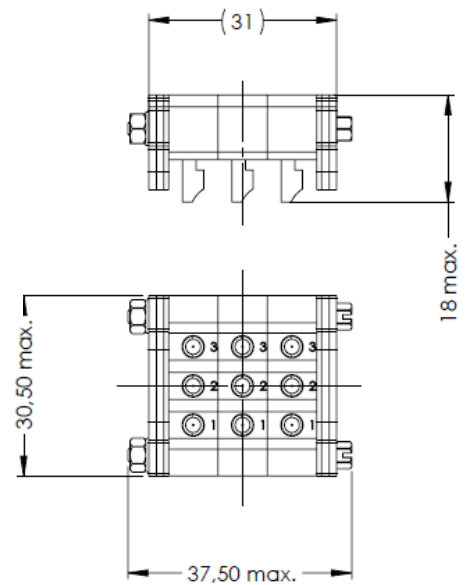
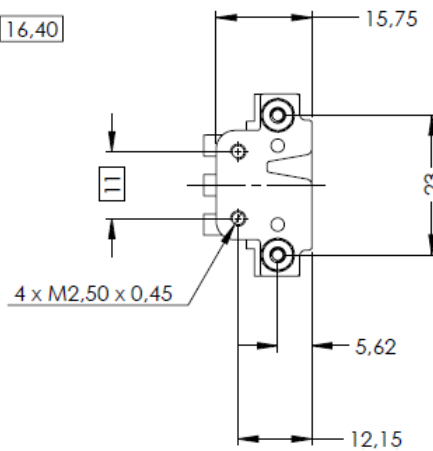
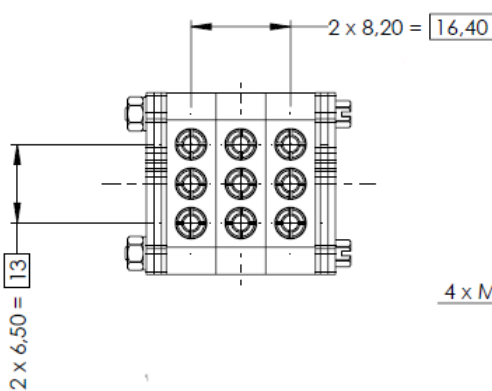
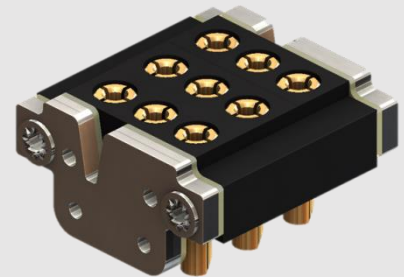
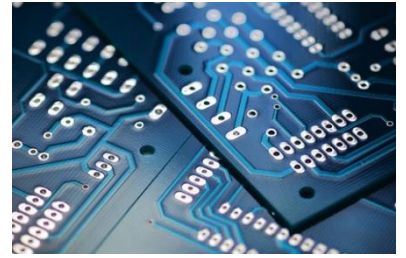


BOARD TO BOARD CONNECTORS



CONNECTOR COMPOSED OF :

- 3 TB3 Pasman connectors, installed
- 9 Female contacts, installed
- 4 Polarizing flanges, installed
- 2 Insulating plates, installed
- 2 M2.5 Screws, nuts and washers, installed

MATERIALS & FINISHES :

- Polarization devices : Steel, white zinc plated
- Screws, washers and nuts : Steel, white zinc plated
- TB3 connectors : PBT GF30 black UL94 V0
- Contacts : Brass, 0,2 μ gold over 2 μ nickel plated
- Insulating plate : FR4

TECHNICAL CHARACTERISTICS :

- Nominal current : 15A
- Nominal voltage : 500V
- Max cable diameter for soldering : 2.2mm

